

Features

- Linear voltage regulator with current up to 200mA
 - E521.22 - 3.3V Version or
 - E521.24 - 5V Version
- Wakeable HS-CAN transceiver (ISO11898-2 / -5)
- Chargepump for external active reverse polarity protection
- Gate control for external KL30 switch to reduce sleep current
- Sensor supply voltage regulator 5V / 50mA
- Highside driver typ. 150 mOhm
- Integrated watchdog
- Failsafe functionality
- Operating range 5.5V up to 28V
- Typ. 35µA sleep current consumption
- Package QFN32L5

Applications

- ECUs connected to the CAN bus
- Light ECUs

General Description

The CAN SBC family provides beside the CAN the main µC power supply with 3.3V/5V voltage regulator up to 200mA. Additional independent linear regulator for sensor or peripheral supply.

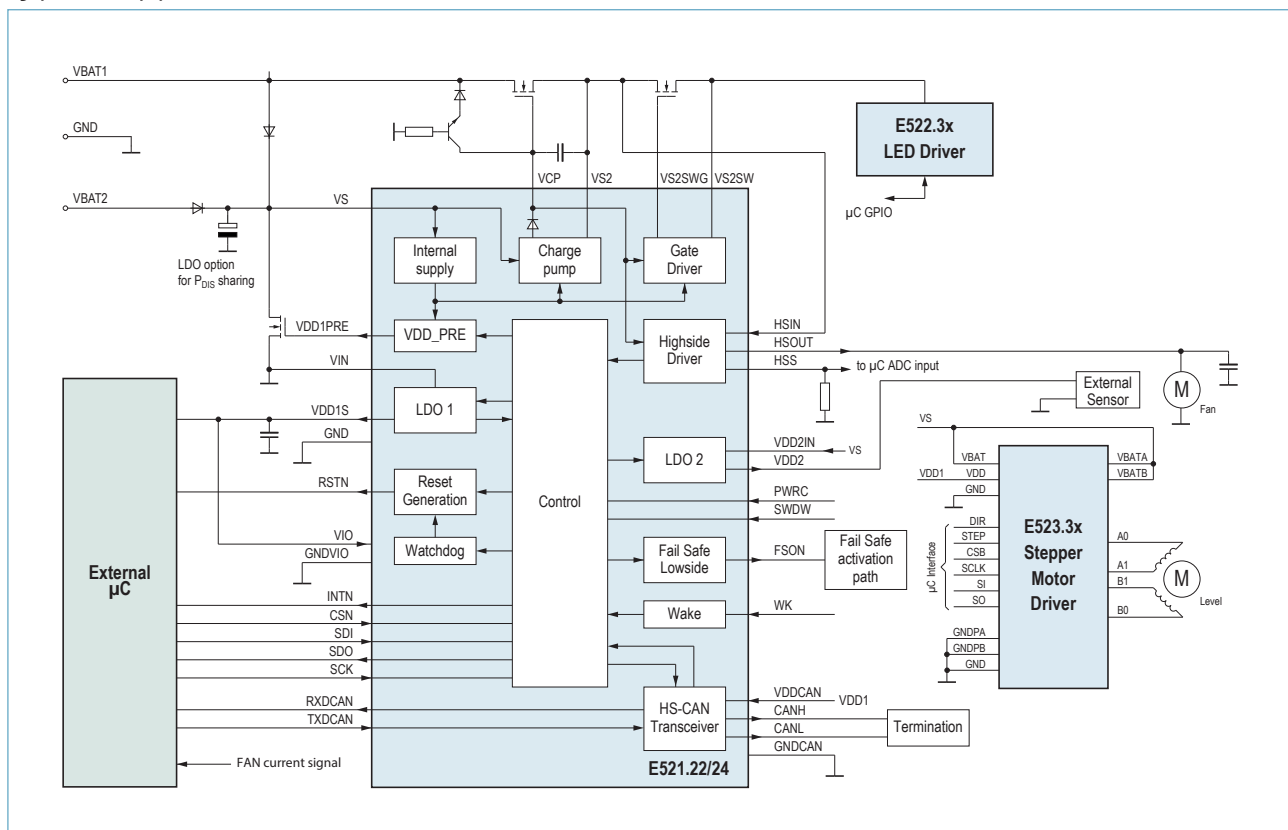
All supplies are monitored and can signalize a fail event by SPI interface. System failure can activate an fail-safe output signal for limp home support. The CAN SBC family provides SLEEP, STOP, ACTIVE, FAILSAFE modes.

The device is capable of detecting local and remote wake-up events which can be individually enabled via SPI.

Ordering Information

Ordering-No.:	Feature	Package
E52122A61C0	1x CAN, 3.3V LDO	QFN32L5
E52124A61C0	1x CAN, 5V LDO	QFN32L5

Typical Application Circuit



This document contains information on a product under development. Elmos Semiconductor AG reserves the right to change or discontinue this product without notice.

Elmos Support

Headquarters

Elmos Semiconductor AG
Heinrich-Hertz-Str. 1
44227 Dortmund (Germany)
Phone: +49 (0) 231 / 75 49-100
Fax: +49 (0) 231 / 75 49-149
sales-germany@elmos.com
www.elmos.com

Sales and Application Support Office North America

Elmos NA. Inc.
32255 Northwestern Highway, Suite 220
Farmington Hills, MI 48334 (United States)
Phone: +1 (0) 248 / 8 65 32 00
sales-usa@elmosna.com

Sales and Application Support Office China

Elmos Semiconductor Technology (Shanghai) Co., Ltd.
Unit 16B, 16F Zhao Feng World Trade Building,
No. 369 Jiang Su Road,
Chang Ning District,
Shanghai, PR China, 200050
Phone: +86 (0) 21 / 6210 0908
Fax: +86 (0) 21 / 6219 7502
sales-china@elmos.com

中国地区销售与应用支持

艾尔默斯半导体技术(上海)有限公司
中国 上海市 长宁区 江苏路369号
兆丰世贸大厦16楼 16B单元, 200050
电话: +86 (0) 21 / 6210 0908
传真: +86 (0) 21 / 6219 7502
sales-china@elmos.com

Sales and Application Support Office Korea

Elmos Korea
B-1007, U-Space 2, #670 Daewangpangyo-ro,
Sampyoung-dong, Bunddang-gu, Sungnam-si
Kyeonggi-do 463-400 Korea
Phone: +82 (0)31 / 7 14 11 31
sales-korea@elmos.com

Sales and Application Support Office Japan

Elmos Japan K.K.
BR Shibaura N Bldg. 7F
3-20-9 Shibaura, Minato-ku,
Tokyo 108-0023 Japan
Phone: +81 3 / 3451-7101
Fax: +81 3 / 3451-7104
sales-japan@elmos.com

Sales and Application Support Office Singapore

Elmos Semiconductor Singapore Pte Ltd.
3A International Business Park
#09-13 ICON@IBP
609935 Singapore
Phone: +65 (0) 6908 1261
Fax: +65 (0) 6570 5906
sales-singapore@elmos.com

Note: Elmos Semiconductor AG (below Elmos) reserves the right to make changes to the product contained in this publication without notice. Elmos assumes no responsibility for the use of any circuits described herein, conveys no licence under any patent or other right, and makes no representation that the circuits are free of patent infringement. While the information in this publication has been checked, no responsibility, however, is assumed for inaccuracies. Elmos does not recommend the use of any of its products in life support applications where the failure or malfunction of the product can reasonably be expected to cause failure of a life-support system or to significantly affect its safety or effectiveness. Products are not authorized for use in such applications.

Copyright © 2015 Elmos Reproduction, in part or whole, without the prior written consent of Elmos, is prohibited.