

Features

- IC for standalone PMSM applications
- True sinusoidal control with 360° conduction angle
- Internal power bridge up to 500mA(rms)
- Selectable PWM speed and error interface or analog speed interface
- Tacho output
- Current controlled start up
- Integrated configurable error handling
- Blockage detection
- Automatic restart and rotor delocking
- Speed or current control
- Windmill functions
- Safety functions for overtemperature, over-/undervoltage, overcurrent and short circuit

Applications

- Small PMSM / BLDC FANs
- Small PMSM / BLDC pumps

General Description

This IC integrates all components for true sinusoidal drive of small BLDC / PMSM fans or pumps in a standalone application with minimum external component effort.

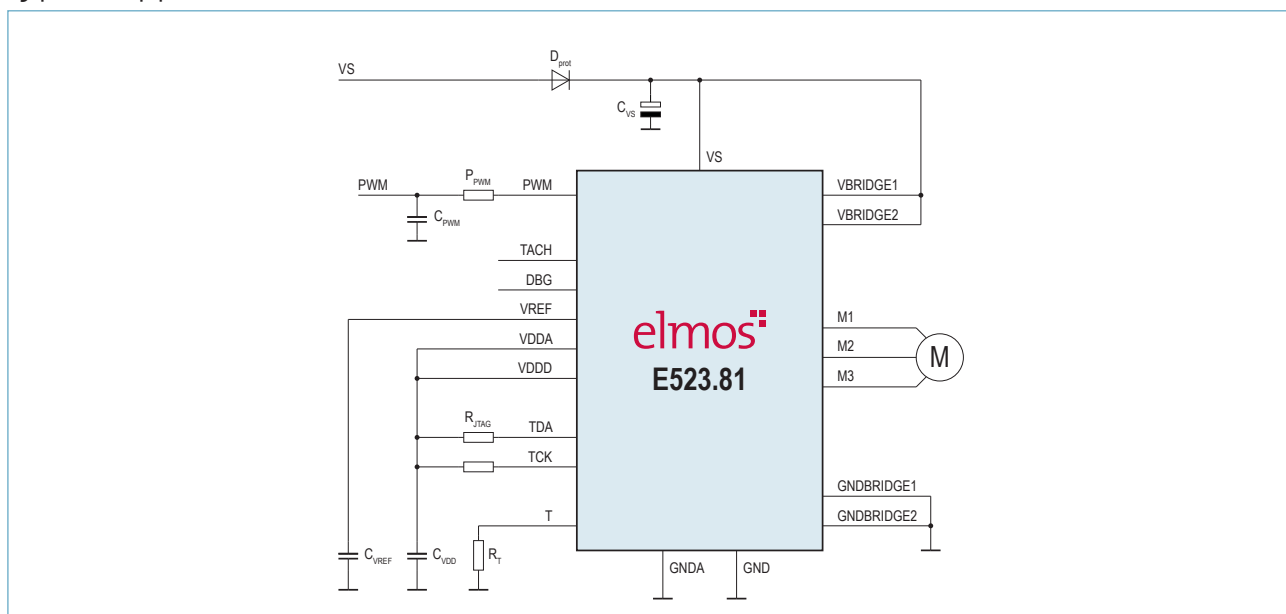
Ordering Information

Ordering-No.:	Temp Range	Package
E52381B62C	-40°C to +170°C	QFN20L5



Figure 1. E523.81 Demonstration Board

Typical Application Circuit



Elmos Support

Headquarters

Elmos Semiconductor AG
Heinrich-Hertz-Str. 1
44227 Dortmund (Germany)
Phone: +49 (0) 231 / 75 49-100
Fax: +49 (0) 231 / 75 49-149
sales-germany@elmos.com
www.elmos.com

Sales and Application Support Office North America

Elmos NA. Inc.
32255 Northwestern Highway, Suite 220
Farmington Hills, MI 48334 (United States)
Phone: +1 (0) 248 / 8 65 32 00
Fax: +1 (0) 248 / 8 65 32 03
sales-usa@elmosna.com

Sales and Application Support Office China

Elmos Semiconductor Technology (Shanghai) Co., Ltd.
Unit 16B, 16F Zhao Feng World Trade Building,
No. 369 Jiang Su Road,
Chang Ning District,
Shanghai, PR China, 200050
Phone: +86 (0) 21 / 6219 7502
Fax: +86 (0) 21 / 6210 0908 115
sales-china@elmos.com

中国地区销售与应用支持

艾尔默斯半导体技术(上海)有限公司
中国 上海市 长宁区 江苏路369号
兆丰世贸大厦16楼 16B单元, 200050
电话: +86 (0) 21 / 6219 7502
传真: +86 (0) 21 / 6210 0908 115
sales-china@elmos.com

Sales and Application Support Office Korea

Elmos Korea
Office: C-301, Innovalley, 253, Pangyo-ro,
Bundang-gu, Sungnam-si, Gyeonggi-do,
13486 Korea
Phone: +82 (0) 31 714-1131
Fax: +82 (0) 31 8018-0790
sales-korea@elmos.com

Sales and Application Support Office Japan

Elmos Japan K.K.
Tamachi 16th Fujishima Bldg. 6F
4-13-4 Shiba, Minato-ku,
Tokyo, 108-0014, Japan
Phone: +81 3 / 3451-7101
Fax: +81 3 / 3451-7104
sales-japan@elmos.com

Sales and Application Support Office Singapore

Elmos Semiconductor Singapore Pte Ltd.
3A International Business Park
#09-13 ICON@IBP
609935 Singapore
Phone: +65 (0) 6908 1261
Fax: +65 (0) 6570 5906
sales-singapore@elmos.com

Note: Elmos Semiconductor AG (below Elmos) reserves the right to make changes to the product contained in this publication without notice. Elmos assumes no responsibility for the use of any circuits described herein, conveys no licence under any patent or other right, and makes no representation that the circuits are free of patent infringement. While the information in this publication has been checked, no responsibility, however, is assumed for inaccuracies. Elmos does not recommend the use of any of its products in life support applications where the failure or malfunction of the product can reasonably be expected to cause failure of a life-support system or to significantly affect its safety or effectiveness. Products are not authorized for use in such applications.

Copyright © 2017 Elmos. Reproduction, in part or whole, without the prior written consent of Elmos, is prohibited.